



Product catalogue

Flygt DX, submersible waste water & drainage pump, 50 Hz



Flygt



ITT Industries
Engineered for life



Introduction

The Flygt DX range is a compact high performance range of submersible pumps with a motor casing in stainless steel and a pump body in cast iron or stainless steel. Dry motor with class F insulation and twin seal system.

Delivery: up to 700 l/min

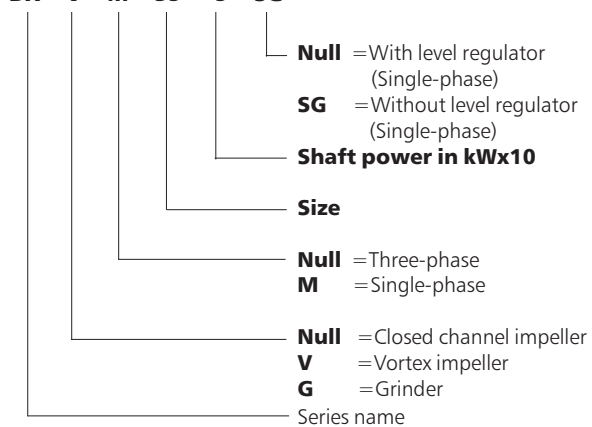
Head: up to 25 m

Applications

- Emptying of sewage collection tanks, civil drainage and waste water in general
- Usage in Pressurized Sewage Systems (DXG)
- Drainage of underpasses and yards, tanks and reservoirs, ditches and trenches
- Transfer of dirty water
- Transfer of clean and contaminated water
- Emergency drainage in case of flooding
- Transfer of groundwater

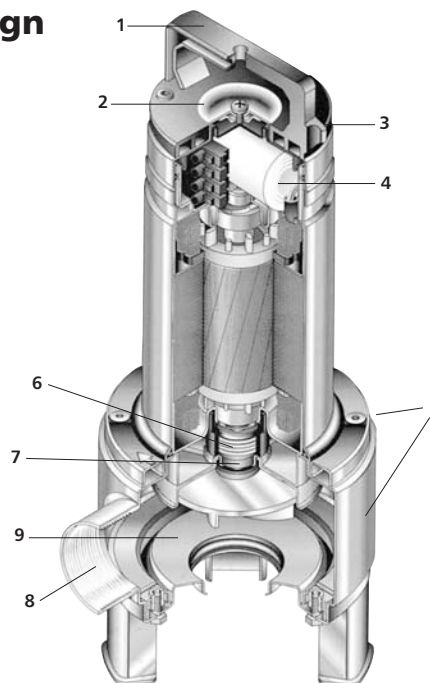
Product identity

DX V M 35 -5 SG





Design



DX

Product

Submersible pump for a variety of waste water and drainage applications.

Process data

Liquid temperature max 35°C

Max size of suspended solids:

DX	35 mm
DXV	50 mm
DXG	N/A

Motor data

Dry motor for submersible duty. Continuously duty when fully submerged. Single phase motor has built in capacitor.

Frequency	50 Hz
Insulation class	F (155°C)
Protection class	IP68
Immersion depth	max 5 m

Cable

H07RN-F 10 m

Control

Single-phase	Built-in level regulator
Three-phase	To be provided

Accessories

Discharge connections, sliding brackets and outlet bend.

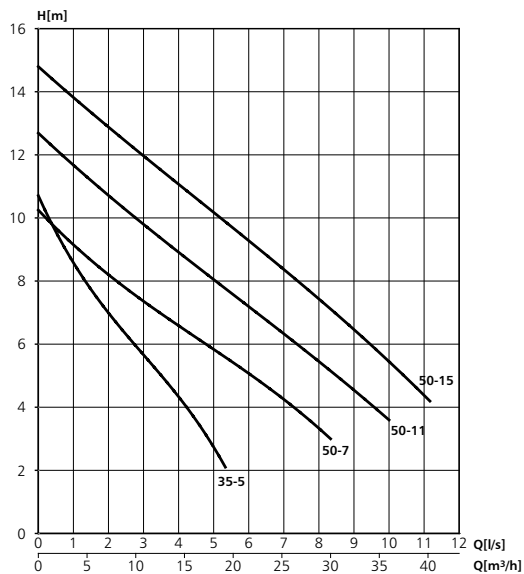
1. Lifting handle, fibreglass-reinforced nylon
2. Testing hole for injecting compressed air to check the hermetic seal of the motor gaskets
3. Cable holder. The float switch cable can be fixed at various heights to start the pump at the fluid level required
4. Capacitor
5. Pump body and motorcasing in stainless steel AISI 304
6. Sealing system: Outer mechanical seal in silicon carbide. Inner lip seal in nitrile rubber
7. Shaft in stainless steel AISI 304
8. Delivery port DX(V) 50: ISO G2" (50 mm) DX(V) 35: ISO G1 1/2" (40 mm) and DXG: ISO G1" (25 mm)
9. Impeller for DX(V) made in stainless steel AISI 304 (or fibreglass-reinforced nylon in the DXV 35-5). DXG impeller in fibreglass reinforced PBT plastic
 - cutting parts for DXG made in hardened stainless steel.
 - all elastomers in nitrile rubber (NBR)
 - all screws and washers in stainless steel AISI 304

Motor rating

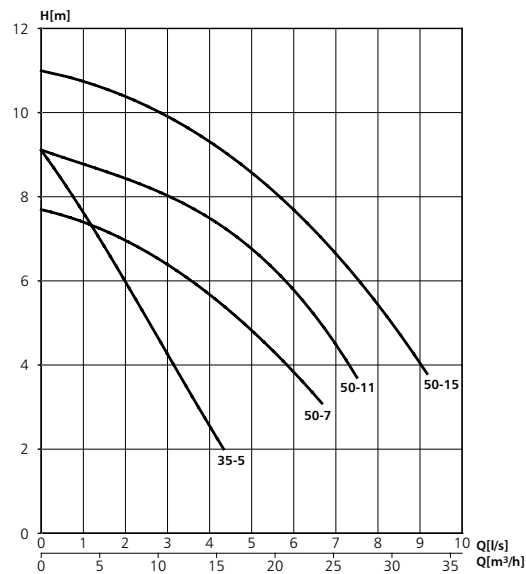
Pump type Three phase	Power kW	Input current A	
		220-240 V	380-415 V
DX(V) 35-5	0.55	2.58	1.49
DX(V) 50-7	0.75	4.09	2.36
DX(V) 50-11	1.1	4.73	2.73
DX(V) 50-15	1.5	6.60	3.81
DXG 25-11	1.1	4.73	2.73

Pump type Single phase	Power kW	Capacitor		Input current A 220-240 V
		µF	V	
DX(V) M 35-5	0.55	16	450	3.94
DX(V) M 50-7	0.75	22	450	5.84
DX(V) M 50-11	1.1	30	450	7.02
DXG M 25-11	1.1	30	450	7.02

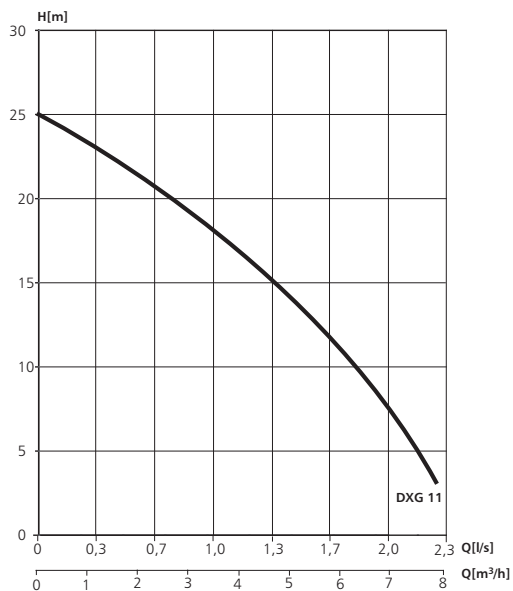
Performance curves DX



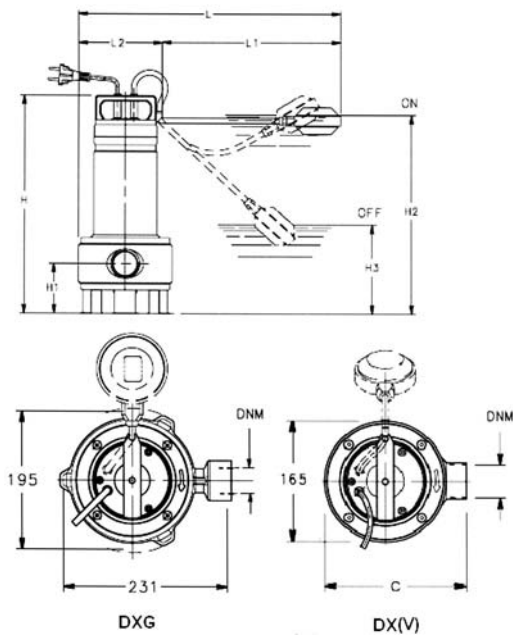
DXV



DXG



Dimensions and weight



Pump type	Dimensions in mm							DNM	Weight kg
	H	H1	H2	H3	L	L1	L2		
DX(V) 35-5	391	88						ISO G1 1/2"	8.9
DX(V) 50-7	438	111.5						ISO G2"	11.6
DX(V) 50-11	468	111.5						ISO G2"	13.6
DX(V) 50-15	468	111.5						ISO G2"	14.6
DX(V)M 35-5	391	88	375	155	420	275	145	ISO G1 1/2"	10.2
DX(V)M 50-7	468	111.5	420	155	495	350	145	ISO G2"	13.6
DX(V)M 50-11	468	111.5	420	155	495	350	145	ISO G2"	15.3
DXG 25-11 (with legs)	446	104	296	135			158	ISO G1"	18.3
DXG 25-11 (w/o legs)	404	60		91			158		
DXGM 25-11 (with legs)	446	104	296	135	508	350	158	ISO G1"	19.0
DXGM 25-11 (w/o legs)	404	60		91			158		